



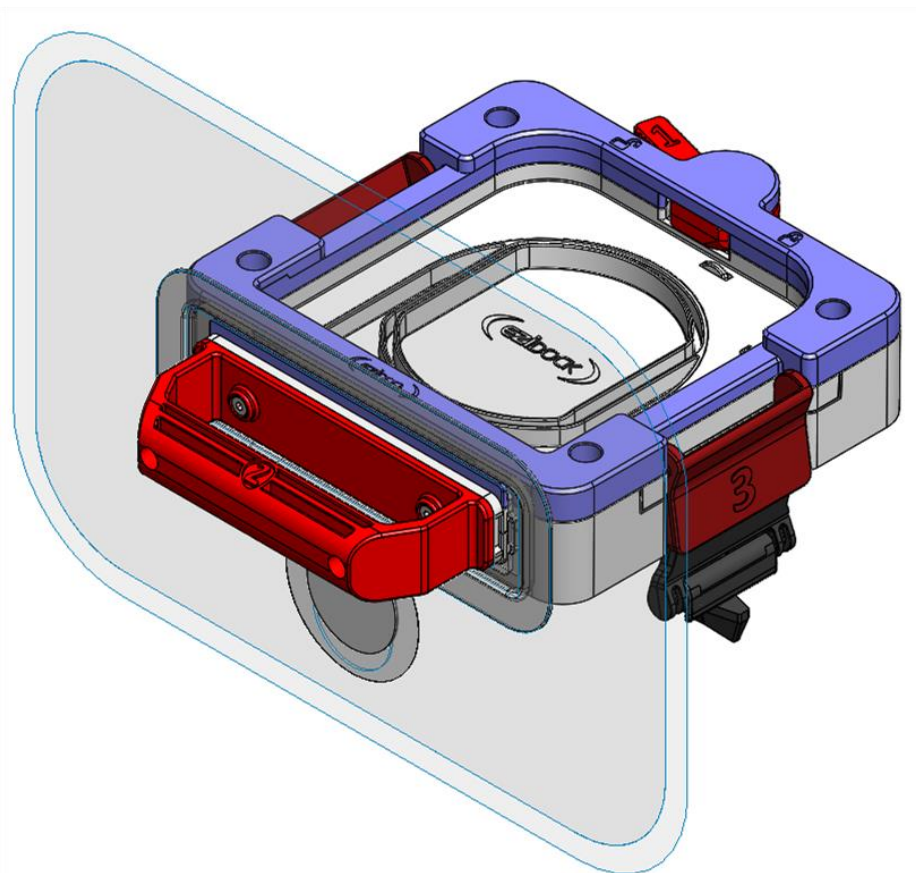
Ezi-Dock Systems Ltd

CSV4 Mk5

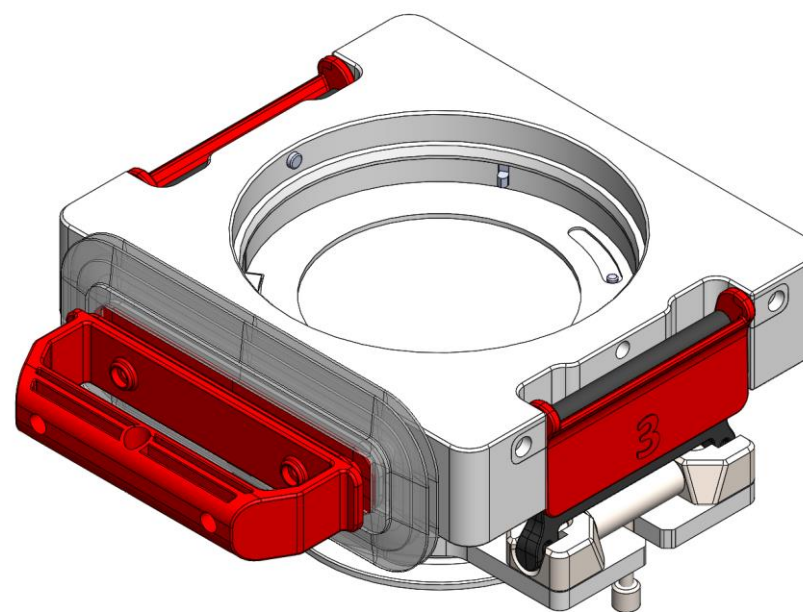


DIFFERENCES CSV4 MK4 > CSV4 MK5

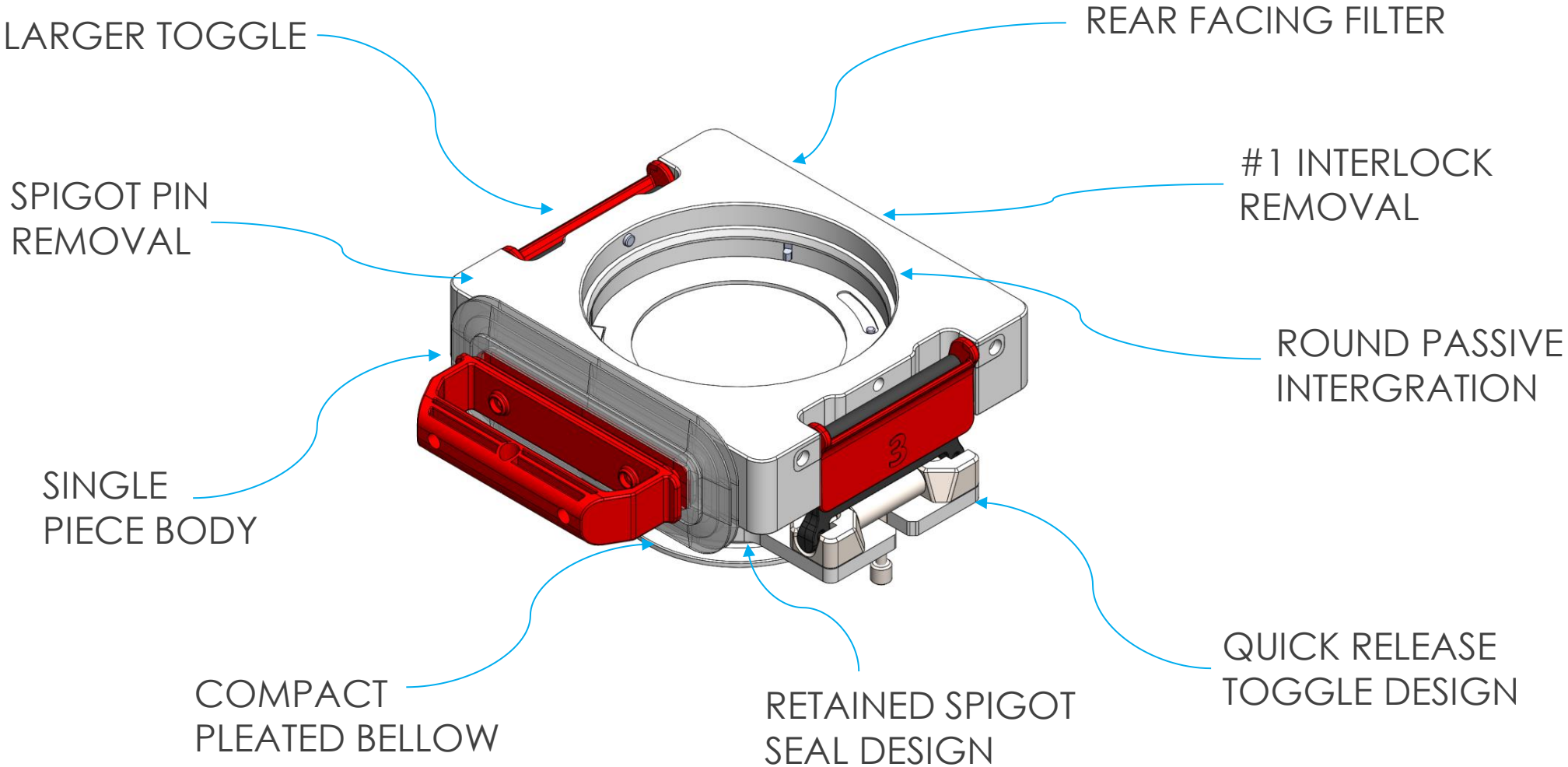
CSV4 MK4



CSV4 MK5



DIFFERENCES & ADVANTAGES (CASSETTE) CSV4 MK5

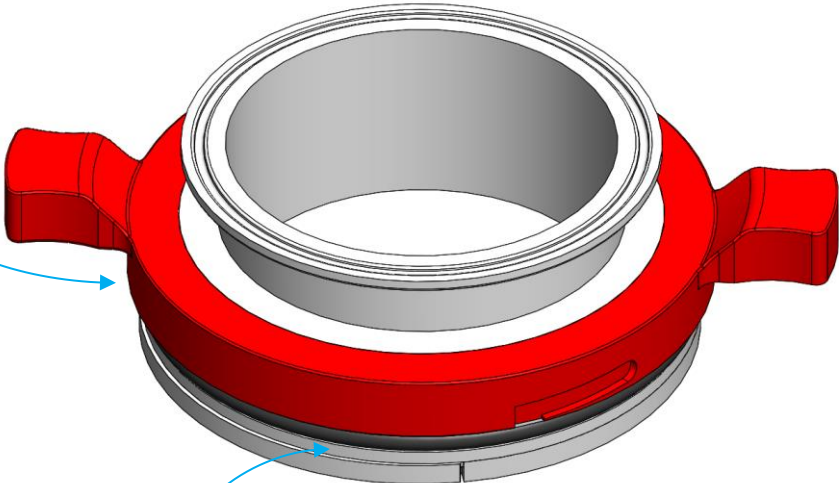


DIFFERENCES & ADVANTAGES (PASSIVE) CSV4 MK5

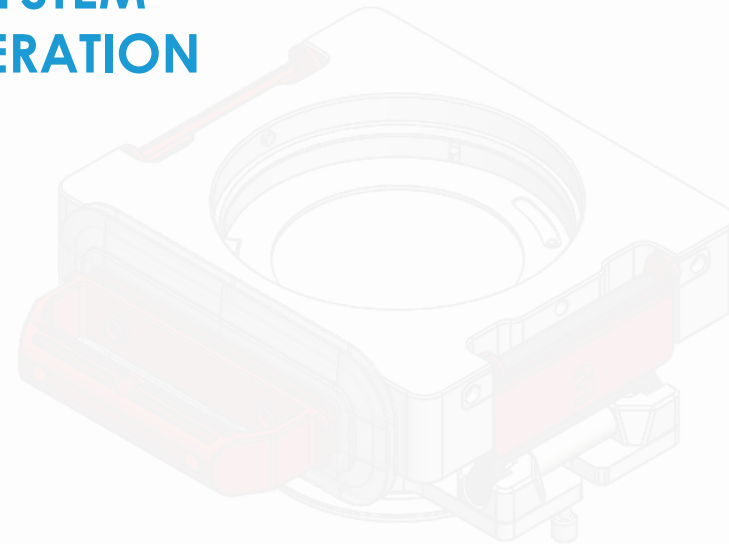
ROUND BODY
DESIGN

ROTATIONAL
LOCKING ACTION

INTERGRATED SEALS

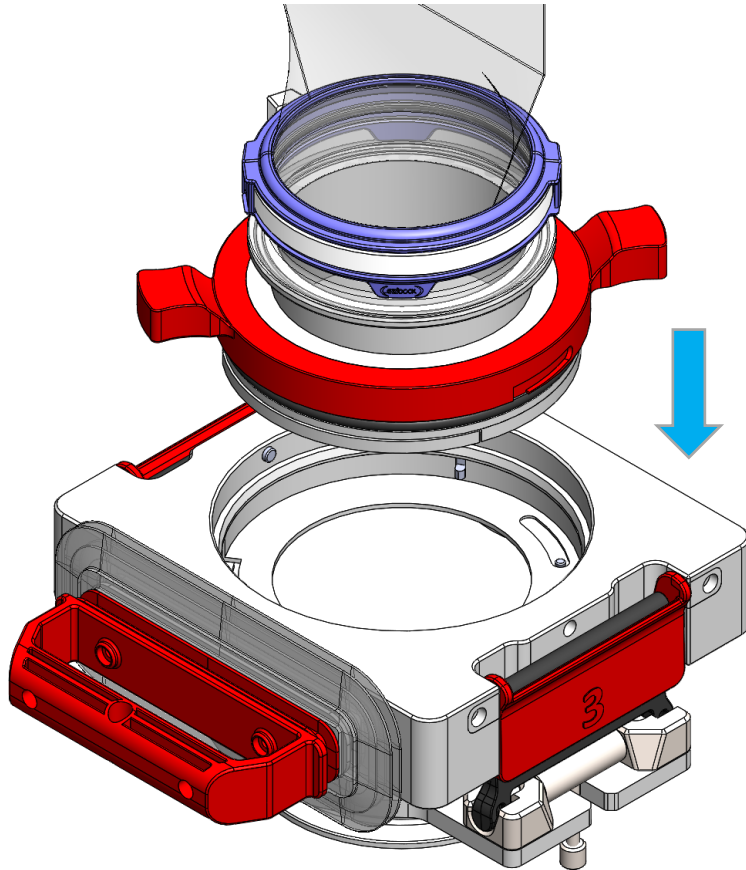


SYSTEM OPERATION

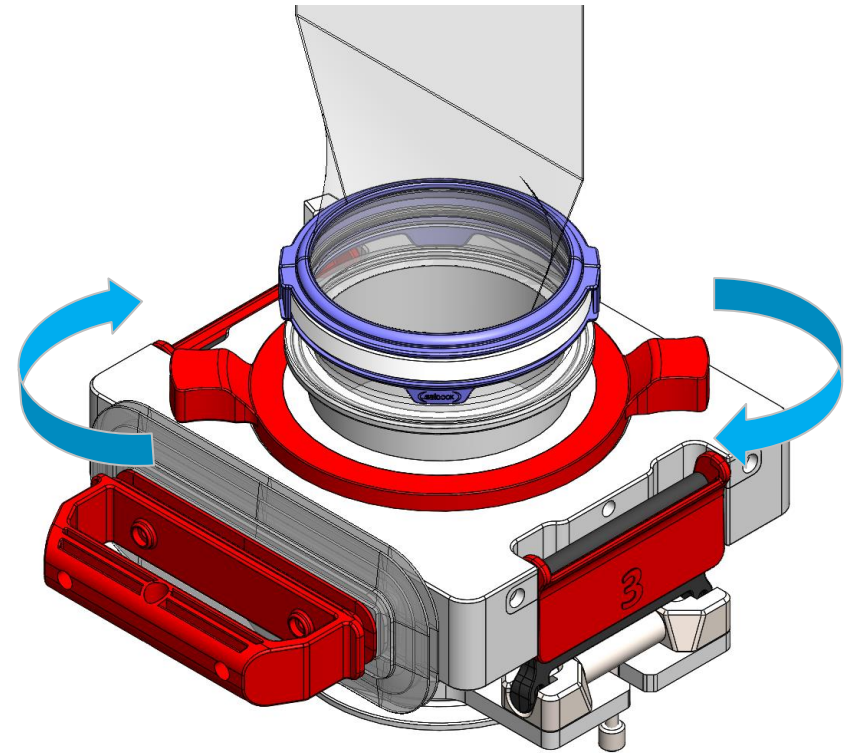


STEP 1

LOCATE THE PASSIVE INTO
THE CASSETTE BODY

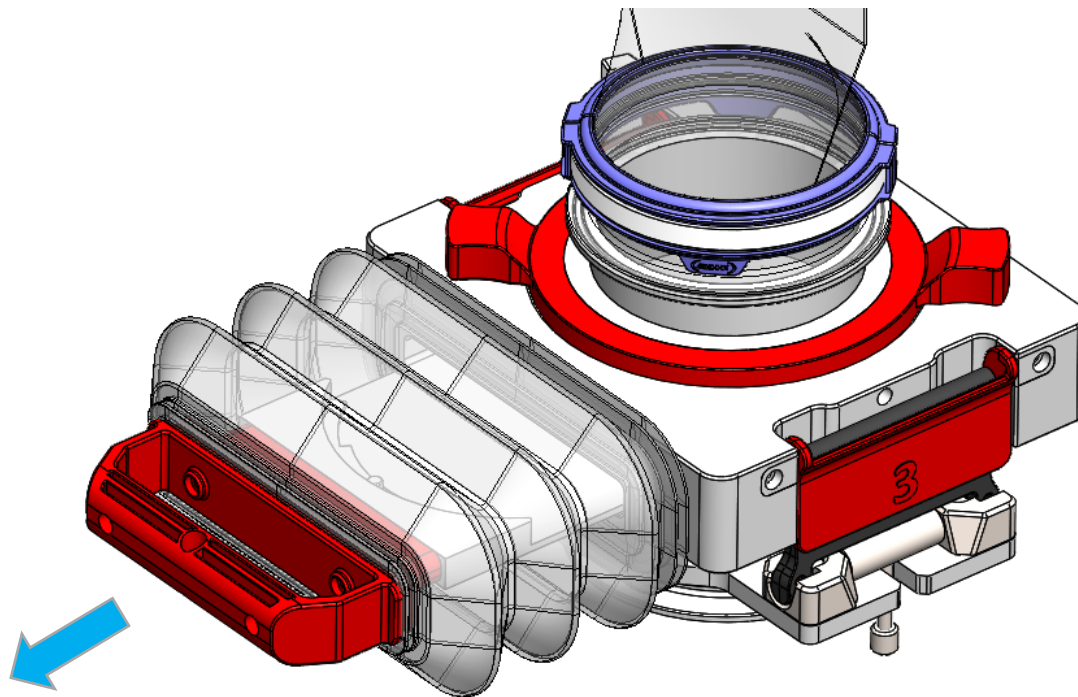


ROTATE THE PASSIVE INTO THE
LOCKED POSITION



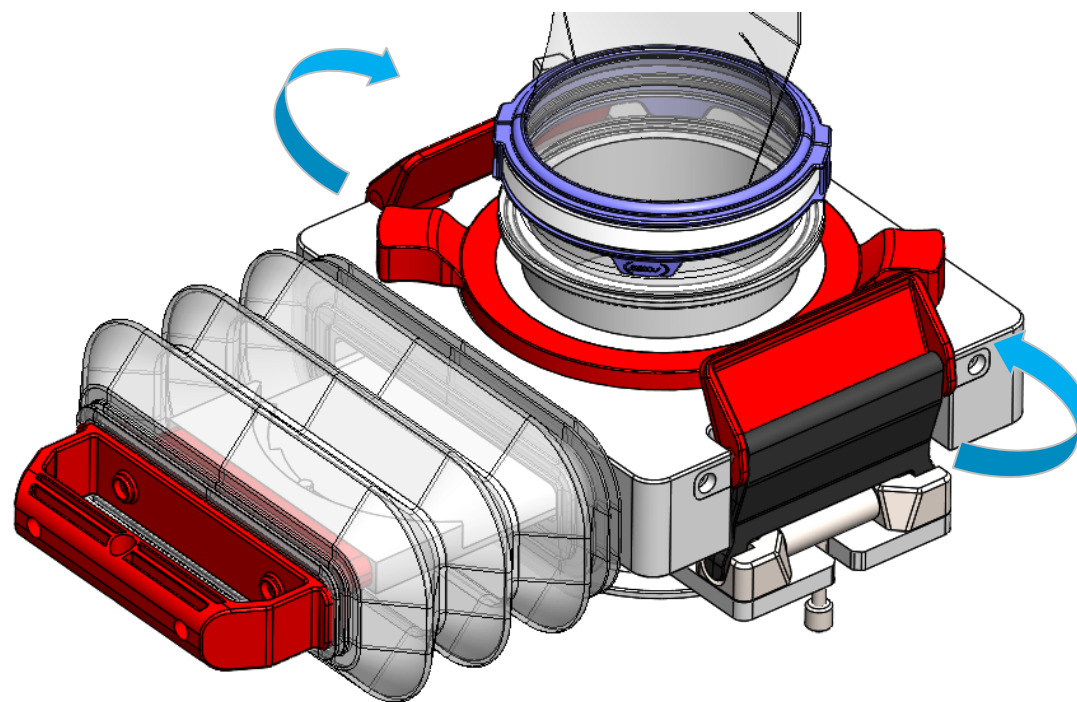
STEP 2

OPEN THE SLIDER USING
THE #2 HANDLE



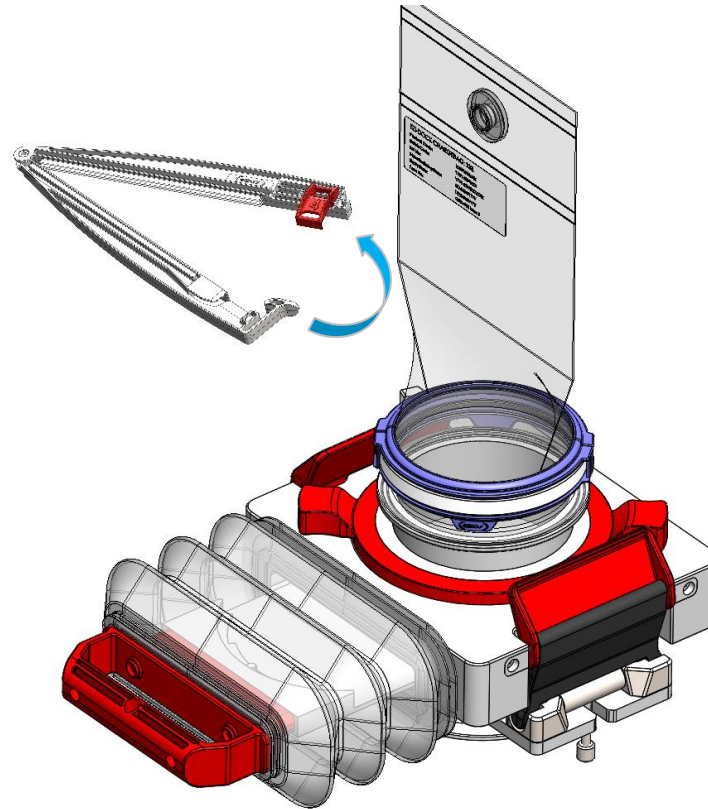
STEP 3

ROTATE THE #3 TOGGLES
TO DOCK THE SYSTEM



STEP 4

REMOVE THE BAG GRIPPER TO
DISCHARGE PRODUCT



DISCHARGE COMPLETE

REVERSE SQUENCE TO CLOSE THE SYSTEM AND COMPLETE THE SAFE TRANSFER

